

Astravan

The ultimate drivers' van 2010 Models Edition 1



The Wheels of Business – Helping you deliver.

Whatever your business, Vauxhall Commercial Vehicles can help you deliver. With five different models, we offer a massive choice of over 200 variants including vans, tippers and minibuses. We're also committed to keeping your business moving. Reliable, fuel efficient vehicles supported by a dedicated network of over 300 specialist retailers with all the expert support and back-up you need to minimise service downtime.

In 2008, our British production facilities at Ellesmere Port and Luton built over 96,000 commercial vehicles – that's more commercial vehicles than any other UK manufacturer. We've also won over 25 industry awards since 2001 – major awards, presented by the toughest judges in the business.

So that's Vauxhall Commercial Vehicles: huge range, great product and the expert support of a nationwide network of retailers. But don't just take our word for it...

Some of the vehicles shown in this brochure include options and accessories available at extra cost. And not all of the features described are available on every model. So please check the equipment and technical data section for further details. From time to time, we also offer alternative models such as Special Editions which are featured in separate literature or can be found on the Vauxhall website: www.vauxhall.co.uk/vans



Movano...

'We currently operate a fleet of 2400 GM models; within these, roughly 500 are Movanos – predominantly 2.5CDTi 16v (100PS) models. These vehicles are real workhorses'

Stewart Duff, Fleet Commercial Manager, Scottish Power



Vivaro...

'The Vivaro is big enough for what we ask of it, economical to run and gets the job done. I can't really put it any better than that!'

Paul Pogson, Managing Director, Catercover Service



Combo...

'The 1.3CDTi 16v common rail turbo diesel unit has acquitted itself well over time and our drivers seem to like its flexibility and its overall performance in day-to-day use.'

Paul Gatti, Head of Commercial Fleet, Royal Mail



Astravan...

'We particularly like the 1.3CDTi 16v engine – it's been a big success. It's good to drive... and low CO₂ emissions are a big consideration to us'

Tony Carrea, Fleet Manager, SDC

Corsavan...

'The vans are very well-equipped and competitive on key areas like running costs and maintenance'

Paul Harris, Fleet Manager, Cams Fire and Security



Dynamics and efficiency 8

Loadspace 10

Interior, safety and security 12

Club 14

Sportive and SE 16

Options and accessories 18

Colours and trims 20

Customer advocates 22

Equipment and technical data 24

ASTRAVAN
THE ULTIMATE
DRIVERS' VAN







With its smart yet sporty styling, it looks better than a van should. With advanced engines and transmissions, it performs better than a van should. And with a dynamic chassis and supreme levels of interior comfort, it drives better than a van should, too. But with outstanding carrying capacity and flexibility at the business end, it's exactly as a van should be. Today's Astravan. Whether Club, Sportive or Sportive SE model, it's the ultimate drivers' van.

COMMERCIAL MOTOR SAID...

'For your money, you get pin-sharp handling, steering that is remarkably responsive, a precise gear change, and absolutely bagloads of performance.'

JANUARY 2009



Max. payload
650kg



20,000 mile/1-year
service intervals



Anti-lock
Braking System



Max. load floor
length 2.68m with
Flex bulkhead



Max. volume
1.58m³



3-year/60,000 mile
warranty



DYNAMICS AND EFFICIENCY

- | 1.4i 16v petrol (90PS) | 1.3CDTi 16v turbo diesel (90PS) | 1.7CDTi 16v turbo diesel (100PS) | 1.9CDTi turbo diesel (120PS)
- | 1.9CDTi 16v turbo diesel (150PS) (Sportive SE models only) | Five-speed manual gearbox (1.4i 16v) | Six-speed manual gearbox (all diesel models)
- | Three-year manufacturer's warranty consisting of a one-year/unlimited mileage warranty plus a second and third year warranty up to 60,000 miles
- | Anti-lock Braking System (ABS) | Electronic Stability Programme-plus (ESP-plus) (standard on 1.9CDTi models, optional on all others) | Emergency Brake Assist (EBA)

There's no doubt that it looks good, and it's great to drive too. But don't let that distract you. Astravan works as hard for your bank balance as it does for your business. The wide choice of efficient petrol and common rail turbo diesel engines match high fuel economy with extended service intervals for low running costs.

VAN FLEETWORLD SAID...

'Driven in our usual fashion, we averaged 49.7mpg on test, so 50mpg-plus is within easy reach.'

SPORTIVE SE 1.9CDTi 16v (150PS)

COMMON RAIL DIESELS

Astravan comes with a choice of four high-torque, high-economy common rail, turbo diesel engines – 1.3CDTi 16v, 1.7CDTi 16v, 1.9CDTi (120PS) or 1.9CDTi 16v (150PS). All diesel engines are matched to a manual six-speed gearbox as standard, whilst the 1.9CDTi (120PS) can also be specified with an optional six-speed automatic.

EFFICIENT PETROL ENGINE

The 1.4i 16v with five-speed manual, provides 90PS and 125Nm of torque for high flexibility and pulling power, whatever your load. Twinport variable induction ensures both exceptional performance and great fuel economy too.

LOW RUNNING COSTS

Commercial vehicle operators understand why we keep Astravan running costs low. Service intervals extend to 20,000 miles/one-year, plus there's a three-year/60,000 mile warranty.

DYNAMIC CHASSIS

With precise power steering, genuine ride comfort and incredible agility, it's no surprise Astravan drives more like a car than perhaps any other van. Yet the chassis is specially tuned to the demands of everyday working life.

GREAT LOOKS

Beautifully styled from every angle, Astravan's sharp, modern lines make a positive statement about any business. Sportive and SE models add extra visual appeal with body-colour door handles, mirrors and side-protection mouldings plus a dark-tinted rear window.

MUST-HAVE SAFETY

Astravan provides a safe working environment with active safety features such as Anti-lock Braking and Emergency Brake Assist standard on all models. 1.9CDTi models also feature the addition of Electronic Stability Programme-plus, helping you gain control of the van in emergency situations.



Astravan proves conclusively that it's not just about what you carry, it's how you carry it – allowing you to choose the right combination of high payload, flexible space and easy loading to suit your particular needs.

The Astravan load compartment provides 1.58 cubic metres of highly versatile loadspace with up to 650kg maximum payload. The optional Flex bulkhead with fold-flat passenger seat extends maximum load floor length from 1.82 to 2.68 metres.

From a practicality perspective, Astravan's tailgate lifts high to reveal a low loading height, a high, wide loading aperture, and a load area that combines generous length, width and height with a broad, flat load floor. Width between the wheel arches is a full 1103mm.

A standard half-height steel bulkhead and half-height plastic sidewall panelling provide valuable protection against shifting loads. In addition, six load restraint lashing eyes allow you to secure your load, avoiding potential damage.



◀ Upper load restraint mesh is optional at extra cost.

LOADSPACED IMENSIONS*

	mm	inches
Maximum tailgate aperture height	766	30.1
Maximum tailgate aperture width	1024	40.3
Maximum load area height	900	35.4
Maximum load area width	1376	54.2
Width between wheel arches	1103	43.4
Load floor length	1825	71.8
Load floor length with Flex bulkhead	2680	105.5
Flex bulkhead aperture width	531	20.9
Flex bulkhead aperture height	276	10.9
Loading height (unladen)	591	23.3

LOADSPACE VOLUME

	cu.m	cu.ft
All models (VDA method)	1.58	55.8

*Please refer to pages 29-30 of the technical data section for more detailed loadspace, weight and towing data.



Max. payload
650kg



Max. load floor
length 2.68m with
Flex bulkhead



Max. volume
1.58m³



LOADSPACE

- | High-lift tailgate | 1.58cu.m loadspace volume | Up to 650kg payload | Low loading height (591mm) | Half-height sidewall protection panelling
- | Illuminated load area | Load restraint lashing eyes | Half-height steel bulkhead | Flex bulkhead with fold-flat passenger's seat (optional on Club)
- | Upper load restraint mesh (optional) | Roof rails (standard on Sportive and SE, optional on Club)



Astravan Sportive model illustrated.

RELAXED AND SECURE

| Electric windows | Driver's seat height adjuster | Steering column adjustable for reach and rake | CD player/stereo radio (CD 30) | Satellite navigation/ CD player with MP3 format/stereo radio (CD 70) (optional) | Sports seats with lumbar adjustment (Sportive and SE) | Leather-covered sports steering wheel with audio controls (Sportive and SE) | Air conditioning (standard on Sportive and SE, optional on Club) | Electronic engine deadlock immobiliser | Remote control central deadlocking | Remote control security alarm system (optional) | Twin front airbags | Body-lock seatbelt pretensioners

When you're spending a long day on the road, it's good to know that Astravan is spacious, comfortable and easy to drive. But it's also reassuring to know that Astravan offers a high level of safety and security as standard.

▶ Our auxiliary-in socket is available when optional satellite navigation is specified, allowing you to play tracks directly from your personal MP3 player.



◀ Sportive and SE models feature lumbar adjustment on sports seats.

RELAXING CABIN

The Astravan interior has a bright, airy look, allied to high levels of comfort and practicality. With a height-adjustable driver's seat and an adjustable steering column – plus sports seats with lumbar adjustment on Sportive and SE models – the perfect seating position is easy to find.

GREAT FEATURES

Astravan's features, such as electric windows, stereo CD player and adjustable seats, really make a difference out on the road. And on Sportive and SE models you also get electrically adjustable and heated door mirrors, air conditioning and a leather-covered sports steering wheel with audio controls.

PEACE OF MIND

A high level of easy-to-use security features is important to every van user. Astravan's remote control central deadlocking, engine deadlock immobiliser and optional security alarm system ensure high levels of protection for your van and its cargo. In-cab safety measures include the fitment of twin front airbags and body-lock seatbelt pretensioners as standard with side airbags available across the range as an extra-cost option.

▶ Optional satellite navigation system with colour monitor.



COMMERCIAL MOTOR SAID...

'...you will enjoy a superb driving position plus a considerably high standard of build quality.'

JANUARY 2009



Power-assisted steering



CLUB

| Choice of engines/transmissions: 1.3CDTi 16v diesel/six-speed, 1.7CDTi 16v diesel/six-speed, 1.9CDTi (120PS) diesel/six-speed (automatic model also available) and 1.4i 16v petrol/five-speed | Driver's and passenger's airbags | Anti-lock Braking System (ABS) | Electronic Stability Programme-plus (ESP-plus) with Traction Control (1.9CDTi) | Electric windows | Remote control central deadlocking | Steering column adjustable for reach and rake | Driver's seat height adjuster | CD player/stereo radio (CD 30) | Half-height steel bulkhead | Upper load restraint mesh (optional)



◀ The spacious and comfortable Club interior is trimmed in hardwearing Alpha cloth.

▶ Electrically operated windows with safety autoreverse and one-touch facility are standard.



Astravan Club offers a superb package of comfort, convenience and safety features that defy its highly competitive pricing. The wide engine choice – petrol and common rail diesel – plus extensive option and accessory choices make it easier than ever to tailor your model to your unique operating needs.

▶ A high quality CD player/stereo radio featuring 17 watts per channel is standard. Satellite navigation with CD player/stereo radio is available at extra cost.



SPORTIVE

Astravan Sportive makes a serious style statement for the image-conscious business. The matt chrome-effect interior trim, sports seats and air conditioning all look and feel great. But don't forget its appetite for hard work – with three powerful common rail turbo diesels and payloads of up to 647kg.

Additional features over and above Club model include:

- | Sports seats with lumbar and height adjustment
- | Leather-covered sports steering wheel
- | Matt chrome-effect centre console
- | Matt chrome-effect inserts on facia and doors
- | Steering wheel mounted audio controls
- | Air conditioning
- | Electronic Stability Programme-plus (ESP-plus) with Traction Control (1.9CDTi)
- | Dark-tinted rear window
- | Twin electrically adjustable/heated door mirrors
- | Roof rails
- | 16-inch Structure wheels*
- | Body-colour door mirrors, door handles and side-protection mouldings
- | Two-coat metallic/pearlescent paint

Engine/transmission availability

- 1.3CDTi 16v/six-speed manual
- 1.7CDTi 16v/six-speed manual
- 1.9CDTi (120PS)/six-speed manual
- 1.9CDTi (120PS)/six-speed automatic

* Non-Structure spare wheel.



◀ Sportive models feature Silver Alpha cloth seat trim with matt chrome-effect inserts on facia and doors.

◀ Sportive models feature chrome-effect edging on instruments.



SPORTIVE SE

Astravan Sportive SE builds on the Sportive model's inherently sporty character. Distinctive side sills and 17-inch alloy wheels give it even more punch in the style department, complementing Sportive's proven blend of body-colour detailing and two-coat metallic or pearlescent paint.

ESP-plus provides even safer chassis performance while the 150PS 1.9CDTi 16v common rail turbo diesel unit delivers genuine driver appeal alongside serious load-carrying potential.

Commercial Motor Magazine (Aug 2008) said: "Having spent time in our long-term addition, a Vauxhall Astravan Sportive SE, we've rediscovered our love of driving, such is the experience it offers". Enough said!

Additional features over and above Sportive model include:

- | Electronic Stability Programme-plus (ESP-plus) with Traction Control
- | Body-colour front lower spoiler, rear roof spoiler, lower rear skirt and side sills
- | Body-colour rear bumper protection inserts
- | Lowered sports suspension
- | Sports switch
- | 17-inch alloy wheels with 215/45 R 17 tyres
- | Silver alloy-effect roof rails
- | Front fog lights

Engine/transmission availability

1.9CDTi 16v (150PS)/six-speed manual



▼ Sportive SE's rear styling maintains the unmistakably sporty effect and introduces a little more excitement. Highlights include silver alloy-effect roof rails, body-colour lower rear skirt (not shown) and rear roof spoiler.

Model illustrated (left) features optional Interior Pack, available at extra cost.



OPTIONS AND ACCESSORIES

Vauxhall options and accessories are all about choice – selecting your Astravan then personalising it to suit the way you work. There's a choice of factory-fitted options and a huge range of retailer-fit accessories. You can also choose styling products from the auto design specialist Irmischer International. For further information please ask your Vauxhall Commercial Vehicle retailer for more details.



OPTION PACKS

Interior Pack

- > Cigar lighter and ashtray
- > 12-volt electrical accessory socket in load area

Intelligence Pack

- > Multi-function trip computer
- > Rain-sensitive windscreen wipers
- > Anti-dazzle rear-view mirror
- > Automatic lighting control

Winter Pack*

- > Heated seats
- > Headlight washers
- > Front fog lights

* Not available on Sportive SE

Model illustrated left features Flex bulkhead with fold-flat passenger's seat.

- ▼ Satellite navigation system with colour monitor.



INDIVIDUAL OPTIONS INCLUDE:

- > Electronic Stability Programme-plus (ESP-plus) with traction control (standard on 1.9CDTi models)
- > Satellite navigation system with colour monitor
- > Remote control ultrasonic security alarm system
- > Mobile phone system with Bluetooth® (does not include phone or phone-specific cradle)
- > Cruise control
- > Upper load restraint mesh
- > Flex bulkhead with fold-flat passenger's seat
- > Air conditioning (standard on Sportive and SE models)



▲ Rear window grille. Tailor-made in a tough, perforated sheet metal/mesh construction, rear window grilles are both a strong physical barrier and a highly visible deterrent to thieves.



◀ Rubber floor mats. Protect your interior from everyday wear and tear, with secure fixings and an anti-slip underside.



◀ Rear parking distance sensors. Activated automatically as you select reverse, this safety-first system beeps faster, the closer you get to an obstruction. Changing to a continuous tone at 300mm, it can detect other vehicles, concrete posts, low-level walls and fences.



◀ Mudflaps. We all know what mudflaps do – protect your vehicle from mud, salt, stones, tar, grit and more. Vauxhall's durable, tailor-made rubber mudflaps are supplied in sets of four.

ACCESSORIES

Vauxhall accessories are the right choice for your Astravan. The list below is just a small sample of the range available. For a full list, please refer to the Vauxhall Commercial Vehicle Accessories brochure.

- > Base carrier
- > Cargo liner
- > Load floor net
- > MetaSystem alarm
- > Steering wheel security bar
- > Safety Pack (warning triangle, first aid kit and hi-visibility vest)
- > Headlight protectors
- > Flange tow bar with 12N, 12N/12S or 13 pin electrics

irmscher

Developed in conjunction with auto design specialists Irmischer International, a range of styling accessories are available to enhance and help personalise your Astravan.

- > Interior styling
- > Exterior body styling
- > Styling pack
- > Sports silencer
- > Alloy wheels

▼ Irmischer rear roof spoiler.



SOLID



Power Red



Olympic White

TWO-COAT METALLIC



Sovereign Silver



Metro Blue



Technical Grey

TWO-COAT PEARLESCENT



Black Sapphire



Panacotta



Iceberg

COLOURS AND TRIMS

▼ Top: Alpha cloth trim.
Bottom: Silver Alpha cloth trim.



Due to the limitations of the printing process the colours reproduced may vary from the actual colour. As a result they should be used as a guide only.

All Vauxhall Commercial Vehicle retailers have a comprehensive showroom colour display, with actual exterior paint samples available for inspection.

Please note: Certain alternative colours are available for special order on Astravan. Restrictions apply so please consult your Commercial Vehicle retailer for more details.

	Club Alpha Cloth	Sportive Silver Alpha Cloth	Sportive SE Silver Alpha Cloth
Exterior colours			
Solid			
Power Red	●	●	–
Olympic White	●	●	●
Two-coat metallic			
Sovereign Silver	○	●	●
Metro Blue	○	●	–
Technical Grey	○	●	–
Two-coat pearlescent			
Black Sapphire	○	●	●
Panacotta	○	●	–
Iceberg	○	●	–

● = Available at no cost.

○ = Available at extra cost.

– = Not available on this model.

▼ Sportive model illustrated features Silver Alpha cloth seat trim.



Astravan

Driving your business forward.

Tough, solid and dependable, it's easy to see why Astravan is one of the most popular vans around. No wonder it was named Car-derived Van of the Year 2008 by *Professional Van and Light Truck* magazine.

With low maintenance costs and a 3-year/60,000 mile warranty, Astravan more than lives up to its reputation as The Ultimate Driver's Van. To quote no less an authority than *Commercial Motor*: "The Astra has always been labelled 'a van for those who don't like driving vans', but this latest incarnation takes that concept a stage further". Read what our customers think about this award-winning model:



Tony Carrea, Fleet Manager, SDC said... 'We particularly like the 1.3CDTi 16v engine – it's been a big success. It's good to drive, relatively economical and the low CO₂ emissions are a big consideration to us.'



Commercial Motor said...

'For your money, you get pin-sharp handling, steering that is remarkably responsive, a precise gear change, and absolutely bagloads of performance.'

January 2009





Marc Daley, Business Director, Amey PLC said... 'Amey are delighted to include the Vauxhall Astravan amongst its fleet. It has proved reliable and has gained user acceptance across a diverse range of operating environments.'



Contents

Equipment

Safety	24
Facia, instruments and controls	
Audio, navigation and communications	
Seating	25
Interior	
Security	
Load area	
Wheels and tyres	26
Exterior features	
Option packs	
Technical data	
Engines	27
Transmission ratios	
Vauxhall Assistance and warranties, transmissions, fuel economy, fuel tank capacity, suspension, brakes, steering and insurance groups	28
Dimensions, loadspace dimensions, loadspace volume	29
Weights and towing data	30
Glossary of terms	31

Safety

Standard features • Driver's airbag • Passenger's airbag • Anti-lock Braking System (ABS) with Electronic Brakeforce Distribution (EBD) • Emergency Brake Assist (EBA) (see page 28 for details) – Increases applied brake force in emergency braking situations • Height-adjustable head restraints • Pyrotechnic body-lock seatbelt pretensioner system – Tightens the seatbelt during the early stages of a frontal impact • Seatbelt force limiters – Reduces potential upper body injuries during a frontal impact • Height-adjustable inertia-reel seatbelts • Anti-submarining ramps in all seats – Help prevent occupants sliding underneath the lap belt during a collision • Energy-absorbing steering column • Pedal release system – Reduces potential injury to the driver's legs and feet during a severe frontal impact • Laminated windscreen • Side-impact protection beams • Reinforced passenger safety cell

Additional features	Club	Sportive	Sportive SE
Electronic Stability Programme-plus (ESP-plus) with traction control (see D1 page 31 for details)	○ ¹	○ ¹	●
Side-impact airbags	○	○	○

Facia, instruments and controls

Standard features • Trip odometer • Rev counter • Multi-function display showing time, date and outside air temperature (with ice warning function) • Steering column adjustable for reach and rake • Service-due indicator • Instrument panel light dimmer • Handbrake-on/low brake fluid level and low fuel level warning lights

Additional features	Club	Sportive	Sportive SE
Satin stone-effect centre console	●		
Matt chrome-effect centre console		●	●
Charcoal-effect inserts on facia and doors	●		
Maze chrome-effect inserts on facia and doors		●	●
Matt chrome-effect edging on instrument dials		●	●
Three-spoke leather-covered sports steering wheel		●	●
Sport switch (see page 31 for details)			●
Multi-function trip computer	□	□	□
Cruise control	○	○	○

Audio, navigation and communications

Features	Club	Sportive	Sportive SE
CD player/stereo radio (CD 30) • CD player • AM/FM stereo radio with 24 station presets • RDS with Traffic Programme • Remote display • Four speakers	●	●	●
Satellite navigation/CD player with MP3 format/stereo radio (CD 70) • Satellite navigation • CD player with MP3 format • Auxiliary-in socket • AM/FM stereo radio with 40 station presets • RDS with Traffic Programme • Remote colour monitor • 20 watts per channel output • Four speakers	○	○	○
Steering wheel mounted audio controls	○	●	●
Mobile phone system with Bluetooth® and steering wheel mounted audio controls (does not include phone or phone-specific cradle)	○	○	○
Roof-mounted flexible aerial	●	●	●

Seating

Standard feature • Height-adjustable driver's seat with reach and recline adjustment

Additional features	Club	Sportive	Sportive SE
Fold-flat passenger's seat back	○		
Sports seats with lumbar and height adjustment		●	●
Map pockets on seat backs		●	●
Heated seats	□	□	

Interior

Standard features • Fade up/fade down courtesy lighting operated by door switches • Illuminated lidded glovebox • Twin sunvisors and dipping rear-view mirror • Door armrests • Door pockets • Carpeted cabin area • Air blend heater with four-speed fan

Additional features	Club	Sportive	Sportive SE
Air conditioning	○	●	●
Map reading lights		●	●
Electro-chromatic anti-dazzle rear-view mirror	□	□	□
Cigar lighter and ashtray	□	□	□
12-volt electrical accessory socket in load area	□	□	□

Security

Standard features • Remote control central deadlocking (doors, tailgate and fuel filler flap) • Visible Vehicle Identification Number (VIN) plate • 'Key left in ignition' audible warning • Freewheeling door locks • Electronic engine deadlock immobiliser • Electronic theft protection for audio equipment

Additional features	Club	Sportive	Sportive SE
Folding key		●	●
Remote control ultrasonic security alarm system	○	○	○

Load area

Standard features • Glazed tailgate • Half-height steel bulkhead • Loadspace sidewall half-height protection panelling • Load restraint lashing eyes (six) • Under load floor storage • Illuminated load area • Load area rubber floor mat

Additional features	Club	Sportive	Sportive SE
Upper load restraint mesh	○	○	○
Flex bulkhead with fold-flat passenger's seat	○		



Steering wheel mounted audio controls.



Upper load restraint mesh.

- = Standard equipment.
- = Optional at extra cost.
- = Only available as part of an option pack.

1 = ESP-plus standard on 1.9CDTi (120PS) models.



16-inch Structure wheel (Sportive model).



Rain-sensitive windscreen wipers.

Wheels and tyres

Features	Club	Sportive	Sportive SE
15-inch steel wheels with 195/65 R 15 low profile tyres and flush wheel covers (1.4i 16v/1.3CDTi 16v/1.7CDTi 16v)	●		
16-inch steel wheels with 205/55 R 16 low profile tyres and flush wheel covers (1.9CDTi (120PS))	●		
16-inch Structure wheels with 205/55 R 16 low profile tyres (non-Structure, steel spare wheel)		●	
17-inch ten-spoke alloy wheels (steel spare) with 215/45 R 17 low profile tyres			●
Tyre inflation kit in lieu of spare wheel	N/C	N/C	N/C

Exterior features

Standard features • Electrically operated windows with safety autoreverse and one-touch facility • Green-tinted glass • Heated rear window with automatic timed cut-off • Intermittent rear window wash/wipe • Windscreen wipers with variable intermittent facility and flick-wipe • Lights-on audible warning • LED centre brake light • Reversing light and rear fog light • Twin-jet windscreen washer nozzles • Twin gas-assisted tailgate and bonnet struts • Body-colour front and rear bumpers

Additional features	Club	Sportive	Sportive SE
Rain-sensitive windscreen wipers	□	□	□
Automatic Lighting Control (ALC)	□	□	□
Headlight washers	□	□	
Front fog lights	□	□	●
Internally adjustable door mirrors (wide-angle on driver's side)	●		
Electrically adjustable/heated door mirrors (wide-angle on driver's side)	○	●	●
Roof rails (black on Club/Sportive, silver alloy-effect on Sportive SE)	○	●	●
Dark-tinted rear window		●	●
Body-colour door handles, door mirrors and side-protection mouldings		●	●
Exterior style pack – body-colour front lower spoiler/rear lower skirt/rear roof spoiler/side sills			●
Rear parking distance sensor	○	○	○
Increased ground clearance and sump guard for bad road usage	○		
Tow bar with seven-pin electrics	○	○	
Two-coat metallic or pearlescent paint	○	●	●
Special paint (restrictions apply – please consult your retailer for details)	○		

Option packs

Features	Club	Sportive	Sportive SE
Intelligence Pack • Multi-function trip computer • Rain-sensitive windscreen wipers • Electro-chromatic anti-dazzle rear-view mirror • Automatic Lighting Control (ALC)	○	○	○
Winter Pack • Heated seats • Headlight washers • Front fog lights	○	○	
Interior Pack • Cigar lighter and ashtray • 12-volt electrical accessory socket in load area	○	○	○

- = Standard equipment.
- = Optional at extra cost.
- = Only available as part of an option pack.
- N/C = No-cost option.

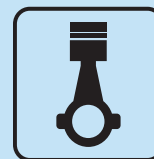
Engines

	1.4i 16v Twinport ECOTEC-4	1.3CDTi 16v ECOTEC-4	1.7CDTi 16v ECOTEC-4
Fuel type	Petrol	Diesel	Diesel
Capacity	1364cc	1248cc	1686cc
Maximum power	90PS (66kW) @ 5600rpm	90PS (66kW) @ 4000rpm	100PS (74kW) @ 4400rpm
Maximum torque	125Nm (92 lb.ft) @ 4000rpm	200Nm (147 lb.ft) @ 1750-2500rpm	240Nm (177 lb.ft) @ 2300rpm
Configuration	4 cylinders, 4 valves per cylinder, double overhead camshafts		
Emission compliance	Euro 4		
Fuel/induction system	Naturally aspirated with vacuum-controlled Twinport inlet ports. Multi-point fuel injection	Variable geometry turbocharger with intercooler. Common rail fuel injection	
Service interval	20,000 miles or one-year (whichever occurs sooner)		

	1.9CDTi (120PS) ECOTEC-4	1.9CDTi 16v (150PS) ECOTEC-4
Fuel type	Diesel	Diesel
Capacity	1910cc	1910cc
Maximum power	120PS (88kW) @ 3500rpm	150PS (110kW) @ 4000rpm
Maximum torque	280Nm (206 lb.ft) @ 2000-2750rpm	320Nm (236 lb.ft) @ 2000rpm-2750rpm
Configuration	4 cylinders, 2 valves per cylinder, single overhead camshaft	4 cylinders, 4 valves per cylinder, double overhead camshafts
Emission compliance	Euro 4	
Fuel/induction system	Variable geometry turbocharger with intercooler. Common rail fuel injection	
Service interval	20,000 miles or one-year (whichever occurs sooner)	

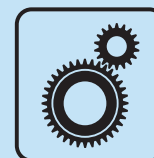
Transmission ratios

Manual	Gear ratios (mph/1000rpm)						Final drive ratio
	1	2	3	4	5	6	
1.4i 16v	3.73:1 (4.7)	2.14:1 (8.2)	1.41:1 (12.4)	1.12:1 (15.6)	0.89:1 (19.6)	-	4.18:1
1.3CDTi 16v Club	4.27:1 (4.6)	2.16:1 (9.1)	1.30:1 (15.1)	0.96:1 (20.4)	0.74:1 (26.5)	0.61:1 (32.2)	3.72:1
1.3CDTi 16v Sportive	4.27:1 (4.5)	2.16:1 (8.9)	1.30:1 (14.9)	0.96:1 (20.1)	0.74:1 (26.1)	0.61:1 (31.7)	3.72:1
1.7CDTi 16v Club	3.82:1 (5.2)	2.05:1 (9.8)	1.30:1 (15.4)	0.96:1 (20.8)	0.74:1 (27.0)	0.61:1 (32.8)	3.65:1
1.7CDTi 16v Sportive	3.82:1 (5.1)	2.05:1 (9.6)	1.30:1 (15.1)	0.96:1 (20.5)	0.74:1 (26.6)	0.61:1 (32.3)	3.65:1
1.9CDTi (120PS)	3.82:1 (5.1)	2.05:1 (9.6)	1.30:1 (15.1)	0.96:1 (20.5)	0.74:1 (26.6)	0.61:1 (32.3)	3.65:1
1.9CDTi 16v (150PS)	3.82:1 (5.2)	2.05:1 (9.6)	1.30:1 (15.2)	0.96:1 (20.6)	0.74:1 (26.7)	0.61:1 (32.4)	3.65:1
Automatic							
1.9CDTi (120PS)	4.15:1 (5.6)	2.37:1 (9.8)	1.56:1 (14.9)	1.15:1 (20.3)	0.86:1 (27.1)	0.69:1 (33.8)	3.08:1



**90PS/100PS/
120PS/150PS**

Choice of common rail turbo diesel engines



6-Speed

Six-speed manual and automatic transmissions available (Diesel models)



Six-speed manual gearbox.

Vauxhall Assistance and warranties*

- All new Astravans qualify for a three-year vehicle warranty consisting of a one-year/unlimited mileage manufacturer's warranty and a second and third year manufacturer's warranty with a 60,000 miles limitation
- Vauxhall Assistance for 12 months from first registration
- Six years' body panel anti-perforation warranty

* = Warranty is only available on vehicles sourced from General Motors UK Limited. Terms and conditions apply – please see your Vauxhall retailer for details.

Transmissions

- Front-wheel drive
- Five-speed manual gearbox
 - Standard on 1.4i 16v models
- Six-speed manual gearbox
 - Standard on all diesel models
- Six-speed automatic transmission with Active Select function – available at extra cost on 1.9CDTi (120PS) models. Electronically controlled with adaptive driving function and winter mode

Fuel economy

49.7mpg (5.7 litres/100km).

Fuel consumption figure obtained during road testing of an Astravan Sportive SE by FLEETWORLD magazine – 2008.

Important: Figures quoted relate to the particular vehicle tested by an independent organisation. Variations in equipment, payload, driving style, road and traffic conditions, vehicle mileage and standard of maintenance may also affect fuel consumption; therefore the test results do not express or imply any guarantee of fuel consumption attainable.

Fuel tank capacity

52 litres (11.4 gallons).

Suspension

Front: Independent. MacPherson struts with gas-pressure dampers and coil springs. Anti-roll bar. Hydro-formed subframe offers increased lateral stiffness. Hydraulic control arm bushing to give improved insulation from road noise.

Rear: Lightweight torsion beam rear axle with one-piece, hollow cast trailing arms. Built-in anti-roll bar. Progressive-rate double conical mini-block springs and gas-pressure dampers. Additionally SE models feature lowered sports suspension.

Brakes

- Anti-lock Braking System (ABS) with Electronic Brakeforce Distribution (EBD)
 - Emergency Brake Assist (EBA)
 - Emergency brake assist detects the urgency with which the brake pedal is pressed and rapidly increases the pressure to the maximum the system can provide, shortening stopping distances. It also enhances pedal feel. EBA is standard on all Astravan models
 - Dual circuit, diagonally split braking system
 - Front brake pad wear warning
- 1.4i 16v/1.3CDTi 16v/1.7CDTi 16v**
 Front ventilated discs: 280mm diameter
 Rear discs: 264mm diameter
- 1.9CDTi**
 Front ventilated discs: 308mm diameter
 Rear discs: 264mm diameter

Steering

- Electro-hydraulic power-assisted
- Turning circle: Kerb-to-kerb
 - Club/Sportive models
 - 11.10m (36.4ft)
 - Sportive SE models
 - 11.51m (37.3ft)

Electrics

Alternator:

- 1.4i 16v – 100A.
- 1.3CDTi 16v – 70A.
- 1.7CDTi 16v – 100A.
- 1.9CDTi – 100A.

Maintenance-free battery:

All models – 60Ah.

Body

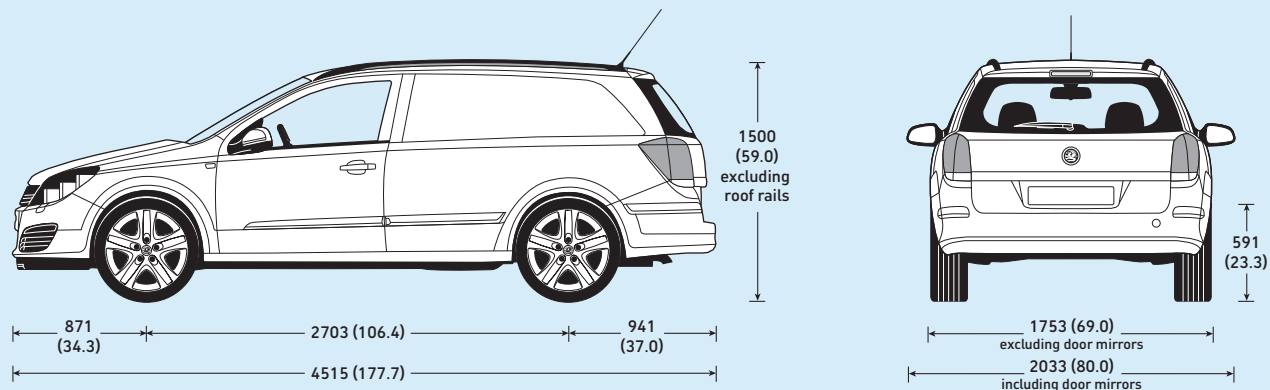
- Extensive anti-corrosion protection
- Aerodynamic drag co-efficient: Cd 0.31
- Front and rear safety deformation zones
- Polypropylene front and rear bumpers capable of withstanding minor impacts up to 2.5mph without permanent deformation
- Replaceable protective rear bumper inserts
- Flush-fitting front and rear screens
- Burst-proof door locks
- Galvanised bodyshell
- Anti-corrosion wax pumped into sills and other underbody cavities
- All weld seams and joints sealed with special compound
- Hem flanges of bonnet, doors and tailgate bonded and sealed
- Abrasion-resistant coating applied to wheel arches and other underbody areas
- Flanged wheel arch edging to prevent build up of dirt
- Paint finish applied electrostatically

Insurance groups

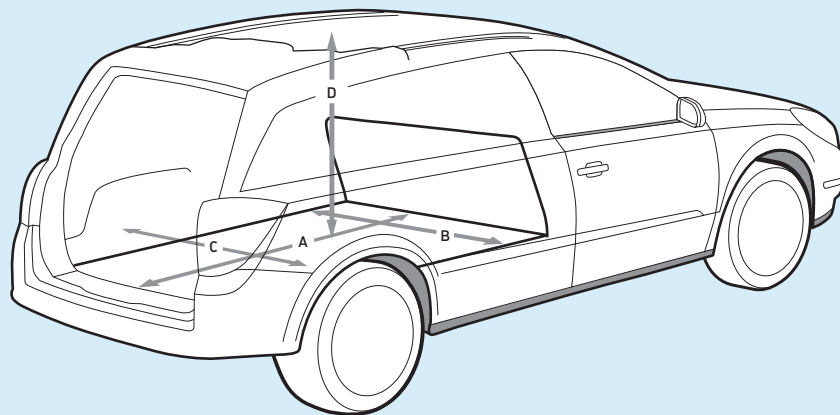
All models (excluding Sportive 1.9CDTi (120PS) automatic and Sportive SE) – Group 2E T2.
 Sportive 1.9CDTi (120PS) automatic – Group 3E T2.
 Sportive SE – Group 3E T2.

As recommended by the Association of British Insurers.

Dimensions millimetres (inches)



All heights are shown unladen.



Loadspace dimensions

Maximum load length	mm (inches)
Standard vehicle (A)	1825 (71.8)
With optional Flex bulkhead	2680 (105.5)
Maximum load width	
At widest point (B)	1376 (54.2)
Between wheel arches (C)	1103 (43.4)
Maximum load height	
Standard vehicle (D)	900 (35.4)
Access dimensions	
Tailgate aperture height	766 (30.1)
Tailgate aperture width	1024 (40.3)
Flex bulkhead aperture width	531 (20.9)
Flex bulkhead aperture height	276 (10.9)

Loadspace volume

VDA method	cu.m (cu.ft)
All models	1.58 (55.8)

Weights and towing data

Model	UK plated weights and kerbweights kg					Total Kerb	Payload kg	Towing weights Trailer with brakes (without brakes) kg	Plated Gross Combination Weights (GCW) kg
	Front axle		Rear axle		GVW				
	Plated	Kerb	Plated	Kerb					
Club									
1.4i 16v Twinport	885	694	940	466	1810	1160	650	900 (610)	2710
1.4i 16v Twinport (a/c)	900	709	940	466	1825	1175	650	900 (610)	2725
1.3CDTi 16v	975	794	940	466	1905	1260	645	1300 (660)	3205
1.3CDTi 16v (a/c)	990	809	940	466	1920	1275	645	1295 (660)	3215
1.7CDTi 16v	1010	826	940	464	1935	1290	645	1400 (675)	3335
1.7CDTi 16v (a/c)	1025	841	940	464	1950	1305	645	1400 (675)	3350
1.9CDTi (120PS)	1030	846	940	464	1960	1310	650	1400 (685)	3360
1.9CDTi (120PS) (a/c)	1045	861	940	464	1975	1325	650	1400 (685)	3375
1.9CDTi (120PS) automatic	1060	876	940	469	1990	1345	645	1400 (685)	3390
1.9CDTi (120PS) automatic (a/c)	1075	891	940	469	1995	1360	635	1400 (685)	3395
Sportive									
1.3CDTi 16v	990	811	940	467	1920	1278	642	1295 (660)	3215
1.7CDTi 16v	1025	843	940	465	1950	1308	642	1400 (675)	3350
1.9CDTi (120PS)	1045	863	940	465	1975	1328	647	1400 (685)	3375
1.9CDTi (120PS) automatic	1075	893	940	470	1995	1363	632	1400 (685)	3395
Sportive SE									
1.9CDTi 16v (150PS)	1060	875	940	468	1990	1343	647	1400 (690)	3390

a/c = Air conditioning.

Note: Kerbweights for standard vehicles include coolant, oil, 90% full fuel tank and spare wheel. They will vary according to the vehicle specification (including options and accessories) with a corresponding variation in payload. **Payload** figures do not allow for the weight of the driver, or any passengers, which should therefore be deducted from the figures shown and are also subject to correct weight distribution. **Gross plated weights** (including axle weights) quoted on the vehicle plate must never be exceeded. **Roof load** should not exceed 100kg including the weight of the roof rack/carrier.



Payload
632kg-650kg

Glossary of terms

Plated weight

The maximum weight to which a vehicle or an axle may be loaded, determined either by the design of the components or by legislation. All commercial vehicles must carry a manufacturer's 'plate' showing the vehicle and axle gross 'plated weights'. It is an offence to drive a vehicle in a condition where any of these weights are exceeded.

Kerbweight

The weight of the complete vehicle in standard form, excluding payload and driver but including coolant, oil, 90% full fuel tank and spare wheel where appropriate. Kerbweights quoted in Vauxhall brochures are subject to manufacturing tolerances and to the fitment of optional equipment and accessories. Where load capacity is critical the actual kerbweight should be obtained by weighing the vehicle on a calibrated public weighbridge.

Gross Vehicle Weight (GVW)

The total permissible weight of a vehicle including payload and passengers, as shown on the manufacturer's plate.

Gross Combination Weight (GCW)

The maximum permissible weight of a vehicle, including payload and passengers, combined with the total weight of any trailer it is towing. The maximum GCW weight limit is quoted on the vehicle plate and must not be exceeded.

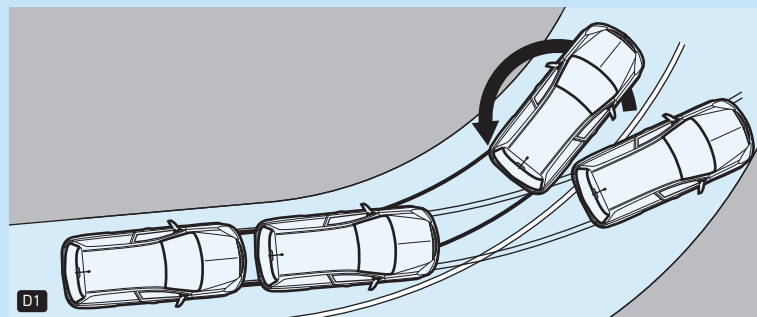
Payload

The total permissible weight that can be carried without exceeding the vehicle's plated weight. This can be obtained by deducting the kerbweight from the plated Gross Vehicle Weight (GVW). Please note: the payload figure does not allow for the weight of the driver or any passengers which should therefore be deducted from the figures shown and are also subject to correct weight distribution.

Maximum towing weight

The maximum weight of any trailer and its load which may be towed within the limit of the vehicle's plated Gross Combination Weight (GCW). It is based on the ability of the vehicle – at full GCW – to restart on a 12% gradient, which is approximately 1 in 8.3, at sea level. At altitudes above 1500 metres, the engine output may drop with a corresponding reduction in towing capability. It is the operator's responsibility to ensure that the trailer noseweight does not cause the rear axle plated weight of the towing vehicle to be exceeded.

Always fit Vauxhall towing attachments and accessories available from your Vauxhall Commercial Vehicle retailer. They are designed specifically for Vauxhall models and carry a 12-month warranty.



D1. Electronic Stability Programme-plus (ESP-plus)

ESP-plus provides enhanced yaw compensation during understeer or oversteer. The system works by monitoring the front and rear of the vehicle, comparing their respective directions of travel going in to the bend with the input received through the steering wheel. If the vehicle starts to slide, it applies corrective braking to the appropriate wheel, or wheels, compensating for the slide and helping you regain control more rapidly. ESP-plus offers additional safety in the form of two-way traction control, which prevents the driving wheels from spinning, under acceleration, on slippery surfaces. The system is standard on 1.9CDTi and available as a low-cost option on all other models.



The Sport switch improves the responses of both the steering and throttle, giving the driver crisper initial acceleration and sharper, more direct turn-in when cornering.

Trust Vauxhall

Protecting the environment

Vauxhall's commitment to the environment is demonstrated by our products' many environmental awards, won both through the use of more recycled materials and by becoming cleaner and more efficient. For information on Vauxhall's efforts to achieve an environmentally sustainable future, see www.vauxhall.co.uk/recycling

Fleet Customer Services

Our dedicated support services for fleet managers includes factory demonstrators and information on whole life costs, company car and van taxation and finance. For further information please call **0870 010 0651**.

Vauxhall Extended Warranty

For complete peace of mind Vauxhall offers an extended warranty that can be purchased on an annual basis following the expiry of the original new vehicle warranty. It covers most mechanical and electrical components. Terms and conditions apply, for further details please contact your local Vauxhall Commercial Vehicle retailer.

Business Lease

Business Lease, from GMAC, offers the versatility of a purchase-based finance plan, while making the most efficient use of tax and cash-flow benefits for VAT-registered business users. It's available for all Vauxhall Commercial Vehicles up to 12 months old and offers highly flexible term lengths, variable deposits and a choice of payment profiles. Ask your retailer for full details.

Business First

Available to business users only, Business First enables you to drive a new vehicle without a large, initial financial outlay. You pay to use the vehicle, not to own it. The vehicle is provided over a predetermined period, and when that period comes to an end the vehicle is returned. Ask your retailer for full details.

Servicing and maintenance

The best way to maximise the performance and reliability of your Vauxhall is to have all routine servicing and maintenance carried out at a Vauxhall Commercial Vehicle retailer. There are over 200 light commercial vehicle and 120 heavy commercial vehicle retailers nationwide.

In the event of an accident...

Vauxhall Accident Support helps keep you mobile following an accident. Benefits include scene-of-accident advice, message service, assistance with claims and vehicle recovery. For further details call **0800 010 304**.

Premier Service Centres

Our Premier Service Centres feature a guaranteed same day repair service (provided the parts are in stock) and an appointment-free service for diagnosis and repairs taking less than 90 minutes. All repairs are carried out within 24 hours of the diagnosis.

For more information...

For a brochure on any Vauxhall model (up to a maximum of three per caller) or location of your nearest retailer, call **0845 600 1500**.

Alternatively, details can be found on our website at www.vauxhall.co.uk/vans



When you have finished with this brochure please recycle it



- Save up to **£1000*** on a new Vauxhall with The GM Card
- 100 Rebate Points worth **£100** when you use The GM Card for the first time
- Rebate Point saving is on top of any discount or offer negotiated with the Retailer
- Earn 3 Rebate Points (**£3**) for every **£100** you spend

Typical 14.9% APR variable

To apply call **0845 746 2777** or visit www.gmcard.co.uk

The GM Card is issued by HFC Bank Limited and is available to persons aged 18 years or over and resident in the UK (or 21 and over in the Channel Islands) and is subject to status and conditions. Written quotations are available upon request from The GM Card, PO Box 3615, Birmingham B3 2RJ. The typical APR quoted is the rate for new customers. Rebate Points are earned on purchases using The GM Card. Rebate Points are not earned on Balance Transfers or Cash Advances. You earn money off a new Vauxhall/Saab by accumulating Rebate Points under the Rebate Points Programme. General Motors UK Limited is solely responsible for the operation of the Rebate Points Programme, which is subject to the Rebate Points Programme Rules. *You can redeem up to 2500 Rebate Points subject to the Model Line Maximum which will vary in amount in relation to different Vauxhall/Saab vehicle model lines and unlimited Partner Points. Rebate Points and unlimited Partner Points are redeemable as discounts on a new Vauxhall/Saab vehicle and must be redeemed four years from the issue date. Rebate Points may not be redeemed by Motability Contract Hire customers. The GM Card is a trading name and style of both HFC Bank Limited and General Motors UK Limited. HFC Bank registered in England No. 1117305. Registered Office: North Street, Winkfield, Windsor, Berkshire SL4 4TD is authorised and regulated by the Financial Services Authority. **Member HSBC** Group HFC Bank Limited is not a member of the same group of companies as General Motors UK Limited, Saab GB Limited or GMAC UK plc. General Motors UK Limited, Registered Office: Griffin House, Osborne Road, Luton, Bedfordshire LU1 3YT. Registered in England number 135767. - CN6/0987.

Every effort has been made to ensure that the contents of this publication were accurate and up-to-date at the time of going to press (August 2009). Vauxhall vehicles are equipped with components manufactured by various General Motors operating units and outside suppliers. The Company reserves the right to alter specifications and withdraw products from sale without notice. Any such alterations will be notified to Vauxhall retailers at the earliest opportunity, please consult your local retailer for the latest information. The specifications detailed within this brochure are not necessarily applicable to alternative models such as Special Editions. Details of any such models will be contained in specific literature or found on the Vauxhall website. Please note that Vauxhall retailers are not the agents of General Motors UK Limited and are not authorised to bind the Company by any specific or implied undertaking or representation. It is advisable to ensure that your motor insurance policy provides adequate cover for additional fitted options and accessories. Please note accessories shown are for illustrative purposes only. As part of Vauxhall's policy of environmental care, this brochure is printed on paper manufactured using Elemental Chlorine Free pulps from specially farmed, sustainable timber resources. All rights reserved. No part of this publication may be reproduced in any form or by any means, without the prior written permission of General Motors UK Limited.

VM0908496

©General Motors UK Limited 2009

Published September 2009 (BMB/Graymatter)

General Motors UK Limited, Luton LU1 3YT

COMMERCIAL VEHICLES
The Wheels of Business



VAUXHALL